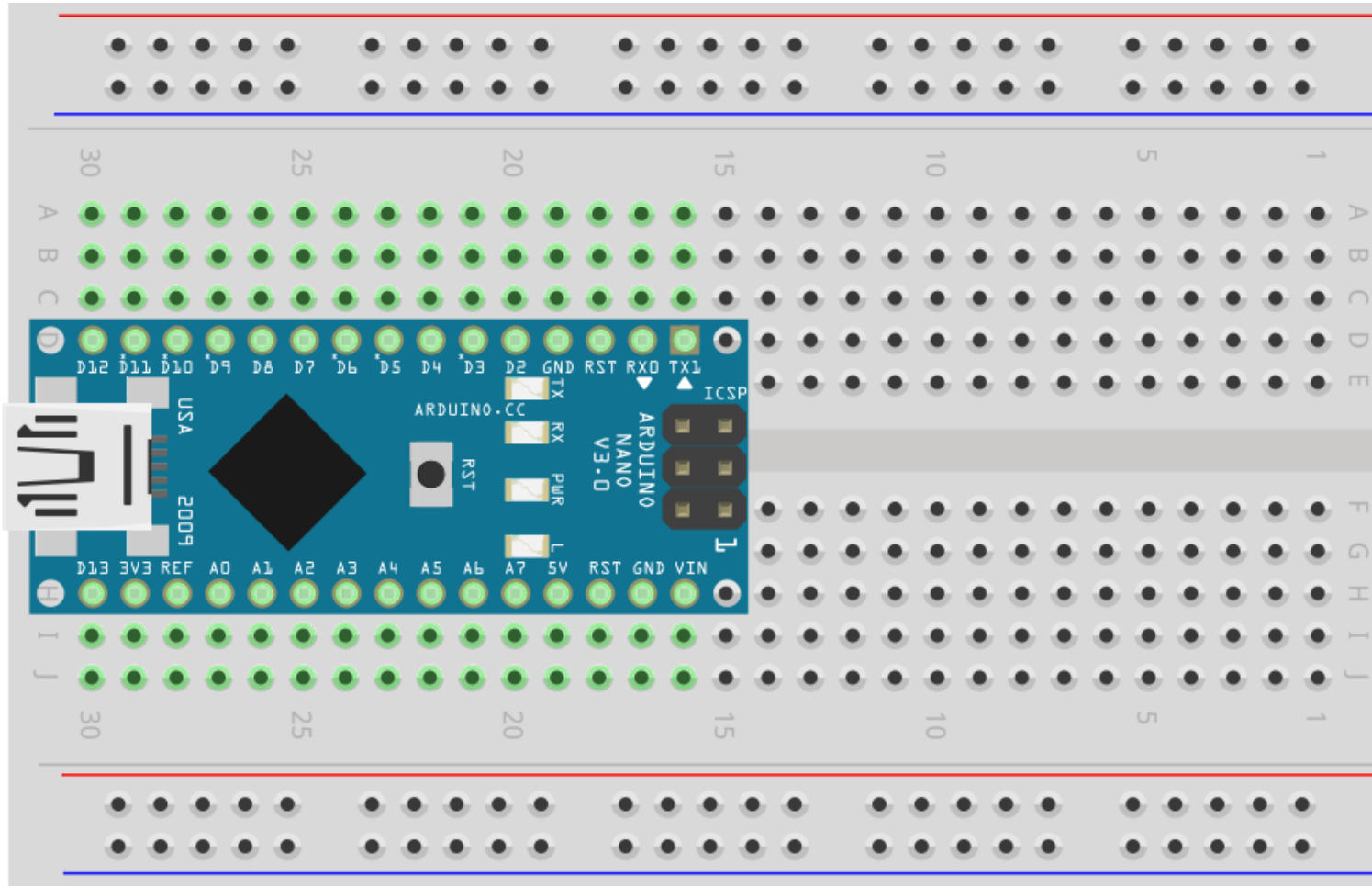
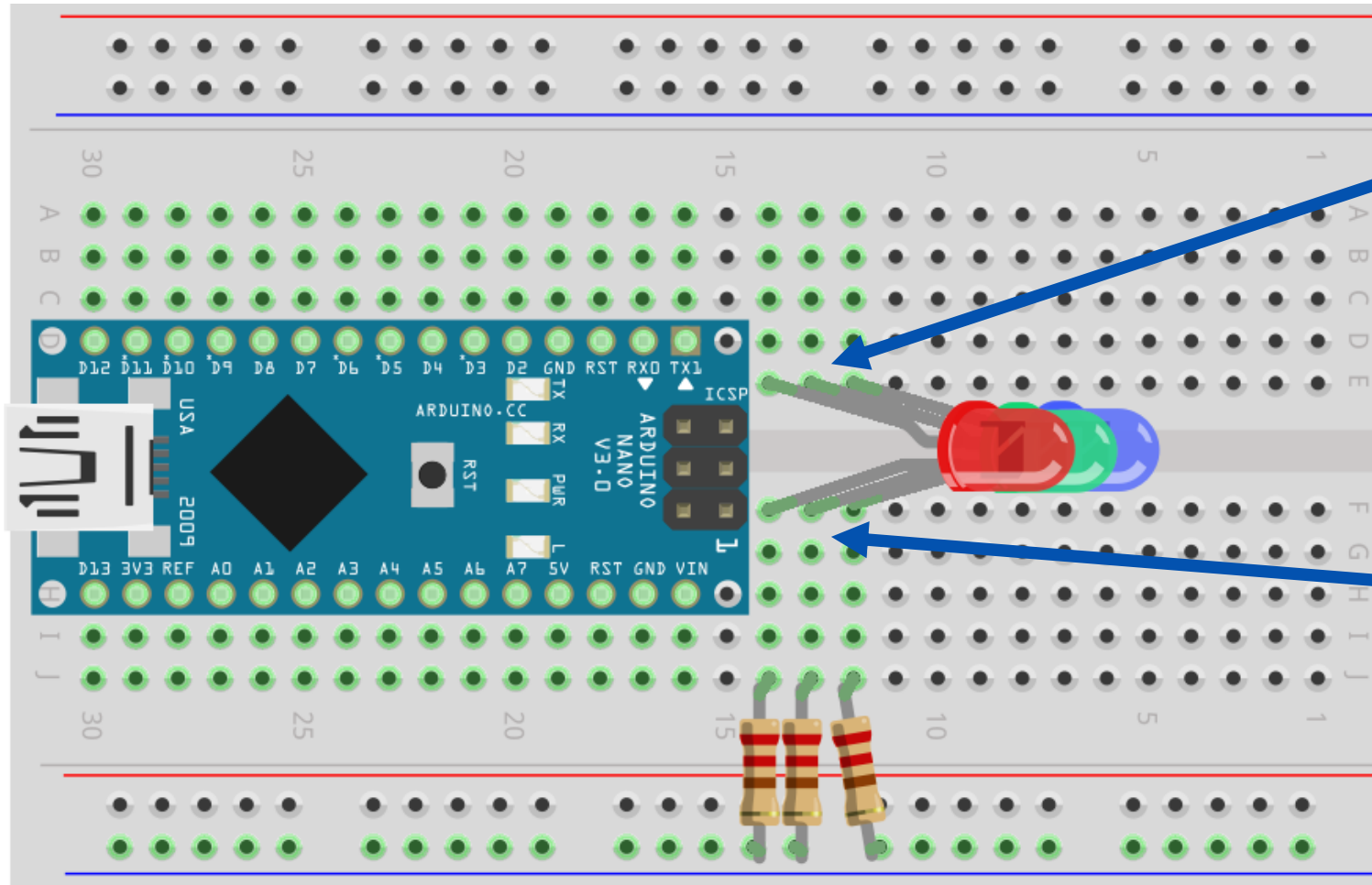


# Step 1



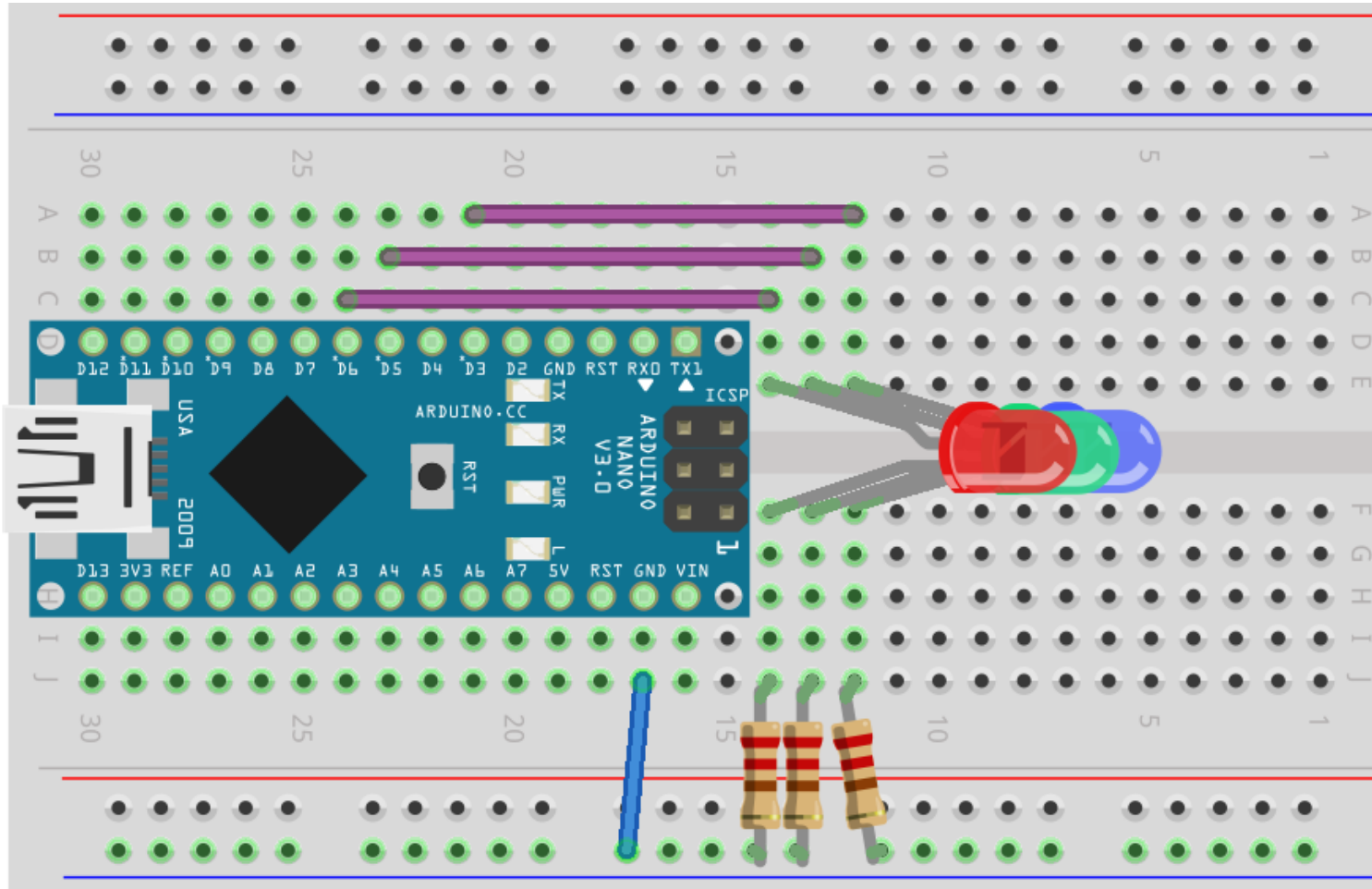
*Ensure that the legs of the Nano fits in securely from rows 16 to 30, and columns D to H*

## Step 2



Connect the **positive** (longer) legs of the LEDs to 12E, 13E, 14E and the **negative** (shorter) legs to 12F, 13F, 14F.

# Step 3



*We have 4  
solid core  
wire  
connections:  
21A to 12A  
23B to 13B  
24C to 14C  
17I to Neg  
Rail*